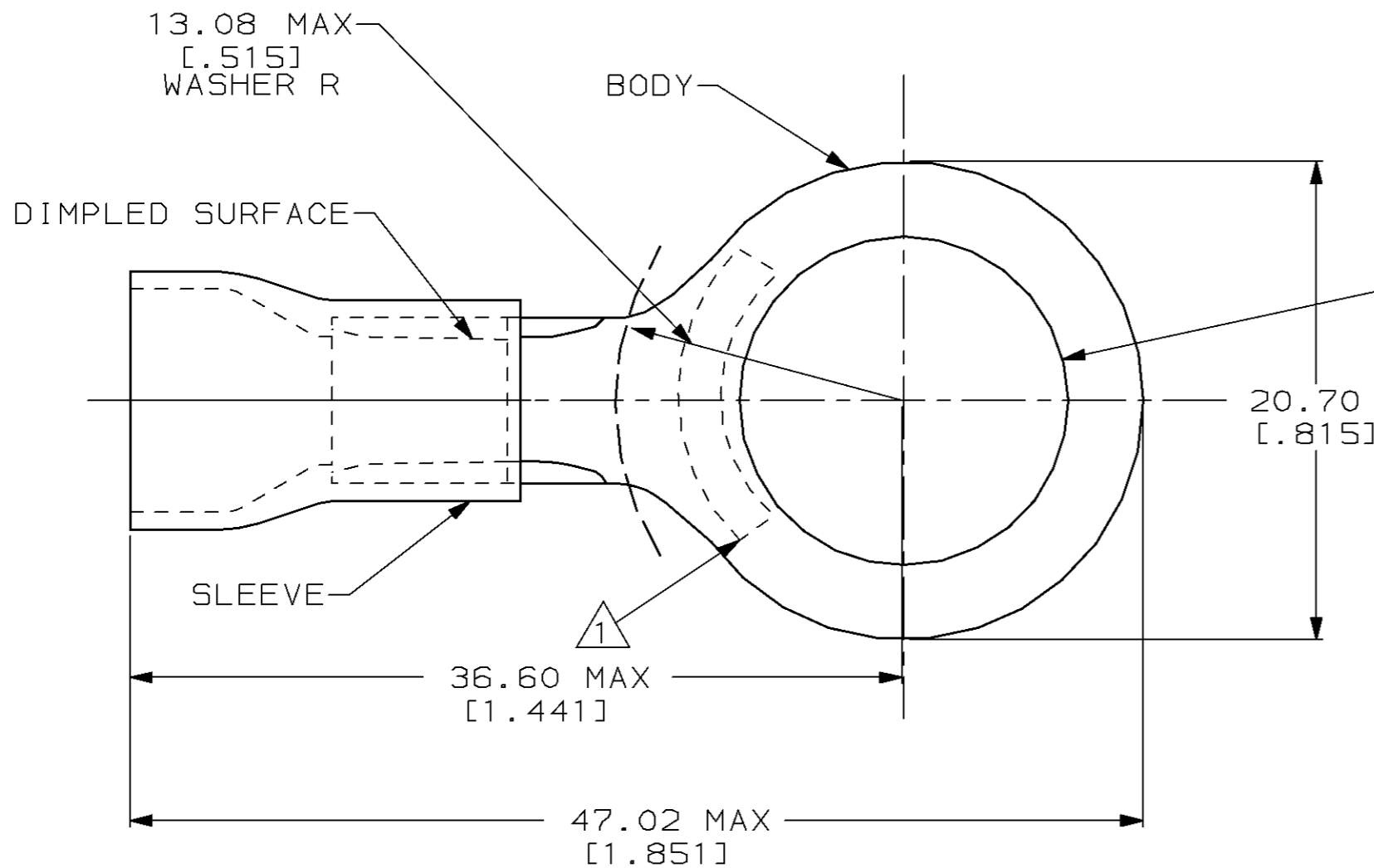


THIS DRAWING IS UNPUBLISHED. RELEASED FOR PUBLICATION, 19 .
 © COPYRIGHT 19 BY AMP INCORPORATED. ALL INTERNATIONAL RIGHTS RESERVED.

LOC G	DIST 14	P	F	REVISIONS			DATE	APPD
				ZONE	LTR	DESCRIPTION		
					H	REV / 0L20-0041-97	29MAY97	556 BB

AMP WIRE RANGE	RA FILE E13288	SR LR7189 Certified
6 AWG STRANDED	6 AWG STRANDED	6 AWG STRANDED



20	LOOSE PC, BOX SPL	8-52350-5
100	LOOSE PC	52350
QTY	PACKAGE TYPE	PART NO

AMP INCORPORATED CUSTOMER SERVICE SYSTEMS		MAX RECOMMENDED OPERATING TEMPERATURE: 90°C	DO NOT SCALE PRINT. UNLESS SPECIFIED DIMENSIONS IN mm [INCHES] TOLERANCES ON: 2 PLC DEC ± 0.20 [.008] 3 PLC DEC ± - ANGLES ± -	DR 9-30-93 S.S. GOULDEN	AMP AMP Incorporated Harrisburg, PA 17105-3608
FOR ADDITIONAL PRODUCT INFORMATION OR COPIES OF DRAWINGS AND TECHNICAL DOCUMENTS	PRODUCT INFORMATION CENTER 1-800-522-6752	VOLTAGE RATING: 600 V MAX	MATERIAL COPPER PER ASTM B-152 PVC, COLOR, BLUE	CHK 9-30-93 R. HERSEY	
FOR APPLICATION TOOLING INFORMATION	TOOLING ASSISTANCE CENTER 1-800-722-1111	CIRCULAR MIL AREA: 10.54-16.77mm² [20, 800-33, 100] STRANDED	FINISH TIN PLATE PER MIL-T-10727	APPD 9-30-93 B. BARE	NAME TERMINAL, RING TONGUE, PLASTI-GRIP™, WIRE SIZE, 6 AWG
FOR ORDER ENTRY	1-800-526-5142	THIS DRAWING IS A CONTROLLED DOCUMENT FOR AMP INCORPORATED. IT IS SUBJECT TO CHANGE AND THE CONTROLLING ENGINEERING ORGANIZATION SHOULD BE CONTACTED FOR THE LATEST REVISION.		APPD 9-30-93 M. ELLIS	SIZE B
				PRODUCT SPEC NOT AVAILABLE	CAGE CODE 00779
				APPLICATION SPEC NOT AVAILABLE	DRAWING NO C-52350
				WEIGHT -	SCALE NTS
					SHEET 1 OF 1